

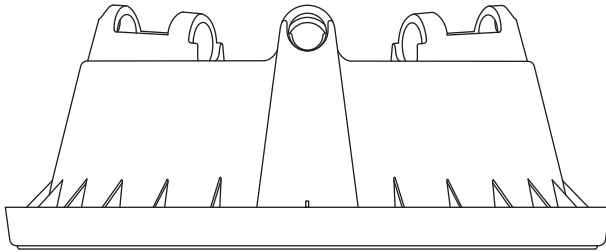
# EZ-TREE STAND™

Item #: 5720876 / 5720879 / 5720877

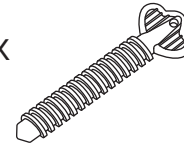
Model #: TZ-1957-2 / TZ-5453 / TZ-5454

Manufacture Date: 0624

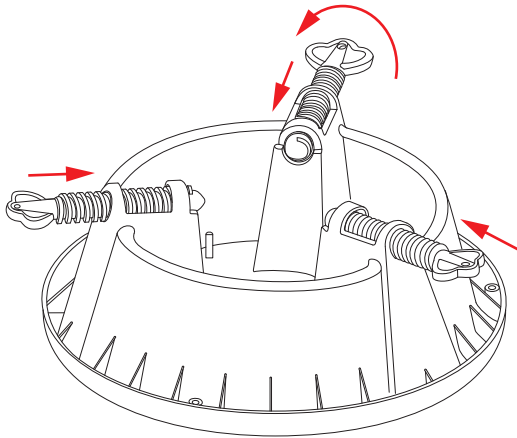
1x



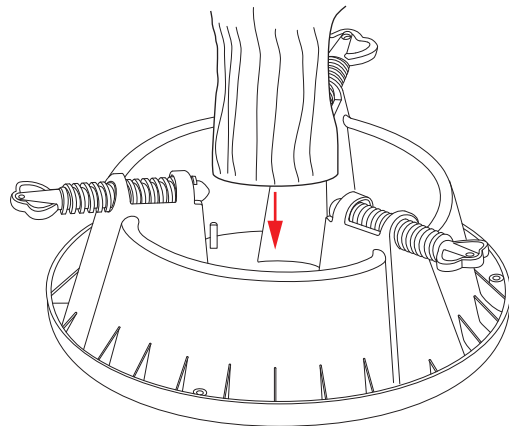
3x



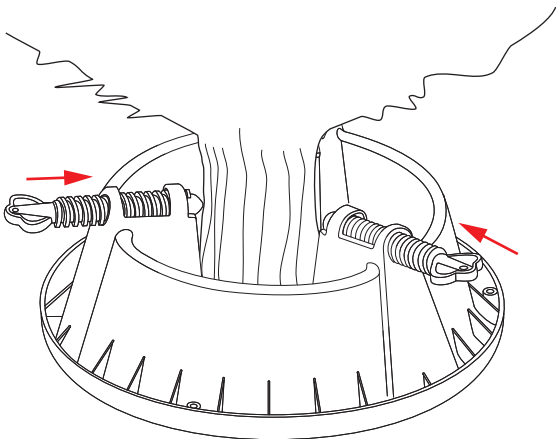
1. Insert Screws in the designated screw posts. Leave enough space for the tree trunk.



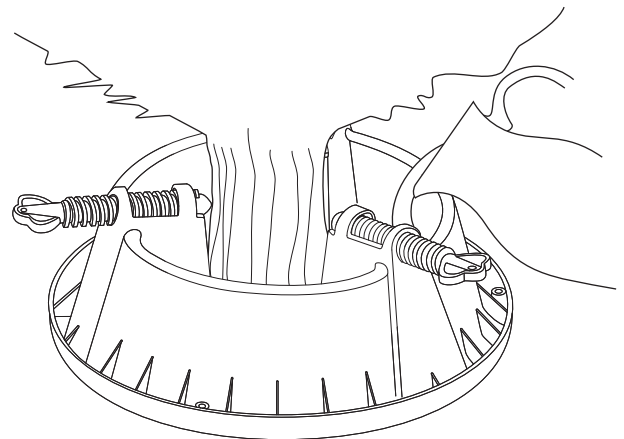
2. Place the tree trunk onto the center of the stand.



3. Tighten the screws to secure the tree in place.



4. Add water, as needed.



The Christmas tree setup is complete.

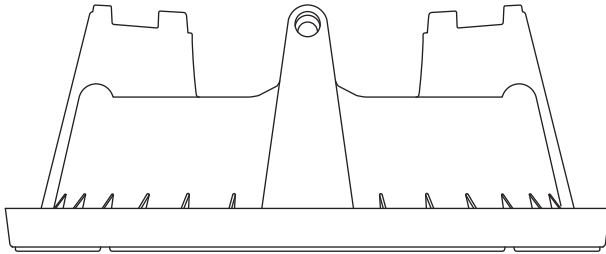
# EZ-TREE STAND™

Item #: 5720878

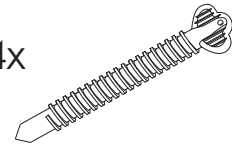
Model #: TZ-5455

Manufacture Date: 0624

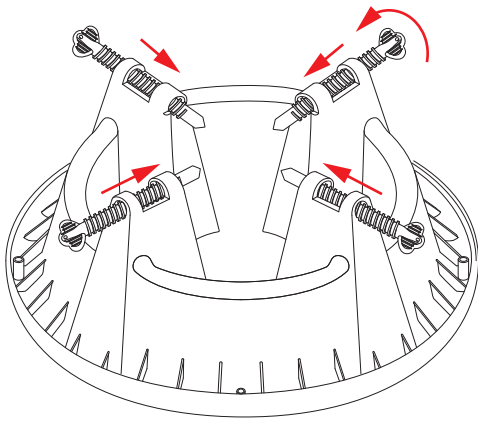
1x



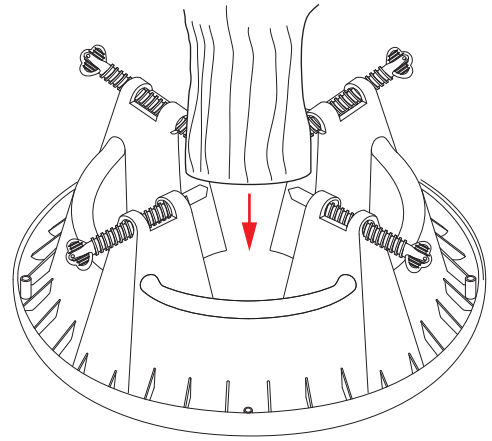
4x



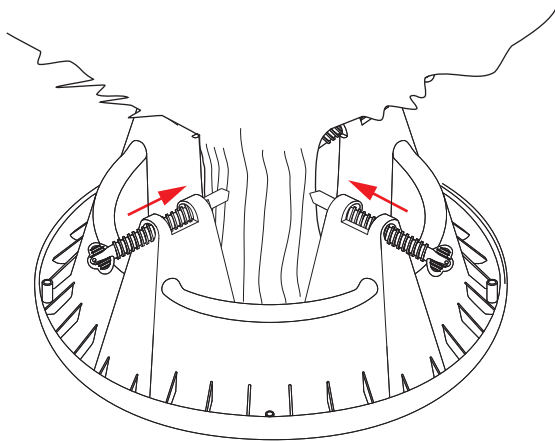
1. Insert Screws in the designated screw posts. Leave enough space for the tree trunk.



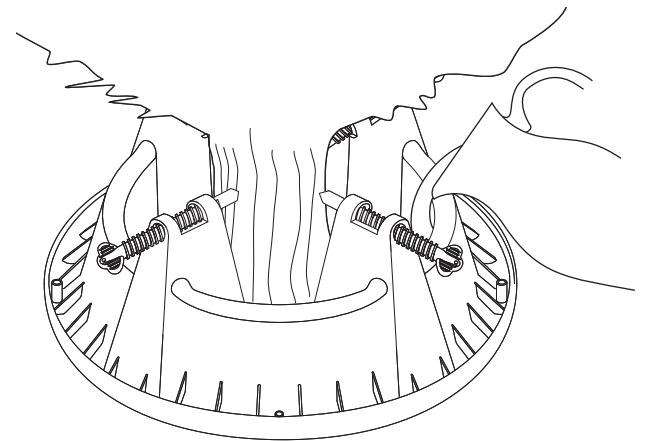
2. Place the tree trunk onto the center of the stand.



3. Tighten the screws to secure the tree in place.



4. Add water, as needed.



The Christmas tree setup is complete.